

Model Numbers:

MH-03-240-GH / MH-05-240-GH

CONSUMER: READ AND SAVE THESE INSTRUCTIONS

Safety Information

⚠ WARNING

USE THIS HEATER ONLY AS DESCRIBED IN THIS MANUAL. ANY OTHER USE NOT RECOMMENDED BY THE MANUFACTURER MAY CAUSE FIRE, ELECTRIC SHOCK, OR INJURY TO PERSONS.

⚠ WARNING

FIRE OR EXPLOSION MAY OCCUR! Heater has hot arching or sparking parts inside. Do not use it in areas where gasoline, paint or flammable liquids are used or stored.

⚠ WARNING

RISK OF FIRE. To prevent a possible fire, Do not block intakes or exhaust in any manner. Do not use on soft surfaces, like a bed where openings may become blocked. Heater must be kept clear of all obstructions. Maintain a 3 foot minimum clearance from front and 12 inches from sides and rear. Heaters must be kept clean of lint, dirt, and debris (see maintenance instructions Page 5).

⚠ WARNING

RISK OF FIRE. DO NOT use heater with extension cord. Plug the heater directly into a 208-240VAC receptacle.

⚠ WARNING

OVERHEATING OR FIRE MAY OCCUR. Do not place heater behind doors.

⚠ WARNING

BURN HAZARD. This heater is hot when in use. To avoid burns, do not let bare skin touch hot surfaces. If provided, use handles when moving the heater

⚠ WARNING

RISK OF ELECTRIC SHOCK OR INJURY. Do not run cord under carpeting, Do not cover cord with throw rugs, runners or similar coverings. Do not route cord under furniture or appliances. Arrange cord away from the traffic area where it will not cause a tripping hazard. Do not operate any heater with a damaged cord or plug, or after heater malfunctions, or has been dropped or damaged in any manner. Discard heater, or return to authorized service facility for examination and / or repair.

⚠ WARNING

RISK OF ELECTRICAL SHOCK. Connect to properly grounded outlets only. Do not insert or allow foreign objects to enter any ventilation or exhaust opening as this may cause an electric shock or fire, or damage the heater. Unplug heater before performing any maintenance or when not in use, To disconnect heater, turn control to low, then remove plug from outlet.



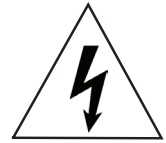
Safety Information

⚠ WARNING NEVER SUSPEND ANY OBJECTS FROM MOUNTED HEATER

⚠ WARNING **CALIFORNIA RESIDENTS:** This product contains chemicals, including lead, known to the State of California to cause birth defects or other reproductive harm. *Wash hands after handling.*



**CAUTION – RISK OF ELECTRIC SHOCK
DO NOT OPEN HEATER SHELL
NO USER-SERVICEABLE PARTS INSIDE**



⚠ WARNING Turn the electrical power off at the electrical panel board (circuit breaker or fuse box) and lock or tag the panel board door to prevent someone from turning on the power while you are working on the heater. When using electrical appliances, basic precautions should always be followed to reduce the risk of fire, electric shock and injury to persons, including the following:

⚠ WARNING Read all instructions before using this heater.

- Extreme caution is necessary when any heater is used by or near children or invalids.
- Do not use outdoors.
- This heater is not intended for use in bathrooms, laundry areas and similar indoor locations. Never locate heater where it may fall into a bathtub or other water container.
- Do not use heater in wet or moist locations.
- Always locate heater on a stable and level surface.
- Do not place the heater against paperboard or low-density fiberboard surfaces.
- Avoid using an extension cord because the extension cord may overheat and cause a risk of fire.

⚠ WARNING RISK OF ELECTRIC SHOCK!

- ALWAYS use only the electrical power (voltage and frequency) specified on the model plate of the heater.
- ALWAYS use only three-prong, grounded outlet and extension cord.
- ALWAYS unplug the heater when not in use.
- ALWAYS install the heater so that it is not directly exposed to water spray, rain, dripping water, or wind.
- Keep all combustible materials away from this heater

Minimum Clearance From Combustibles

	MH-03-240-GH	MH-05-240-GH
Front	3 ft.	3 ft.
Top	1 ft.	1 ft.
Sides	1 ft.	1 ft.
Rear	1 ft.	1 ft.

⚠ WARNING CAUTION!
HOT WHILE IN OPERATION.
DO NOT TOUCH. KEEP CHILDREN,
ANIMALS, CLOTHING AND
COMBUSTIBLES AWAY FROM HEATER.



Look for this icon throughout the manual for helpful tips on how to assemble, use and clean your Electric Fan Heater.

NEVER LEAVE HEATER UNATTENDED WHILE CONNECTED TO A POWER SOURCE

Specifications

Model #	MH-03-240-GH	MH-05-240-GH
BTU	10,200	17,000
Watts	3,000	5,000
Heating Area (ft ²)	320	540
Power (Volts)	240V~60Hz	240V~60Hz
Amps	15	30
Heat Settings	1	2

Specifications subject to change without notice.

Features

MH-03-240-GH / MH-05-240-GH

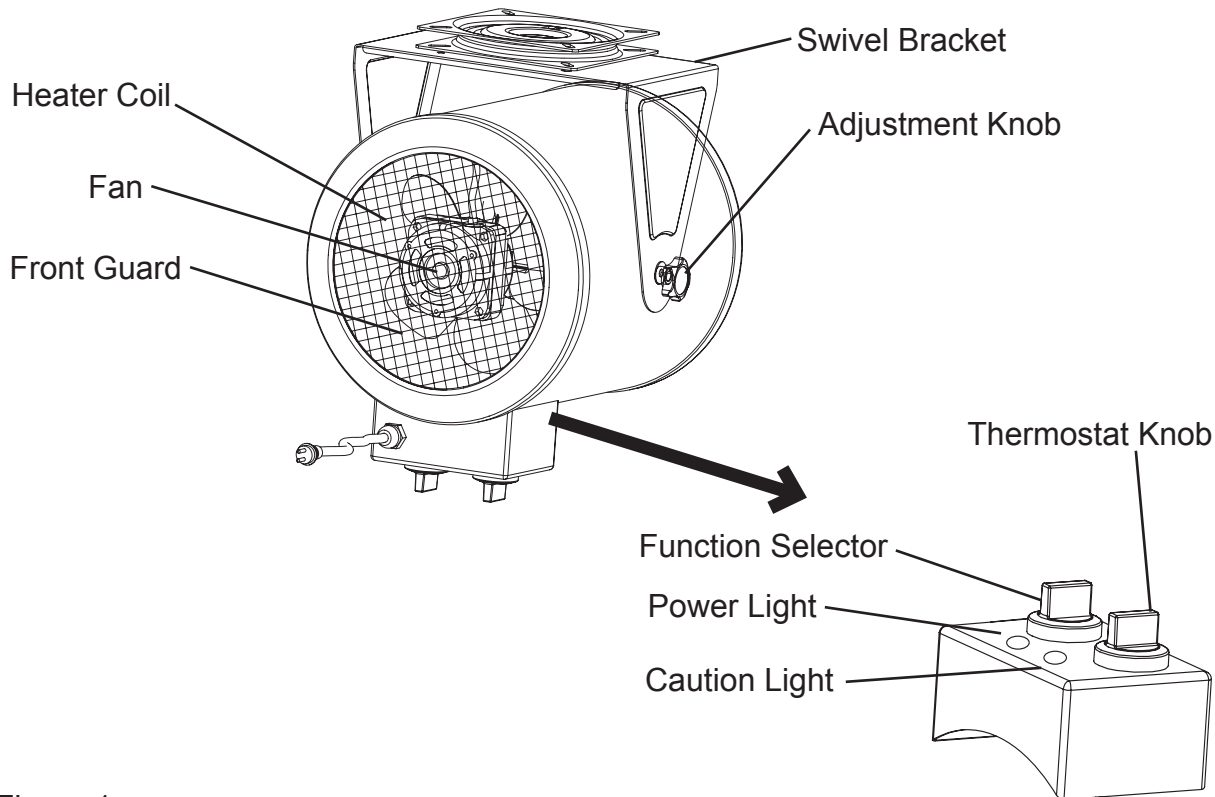


Figure 1

Troubleshooting

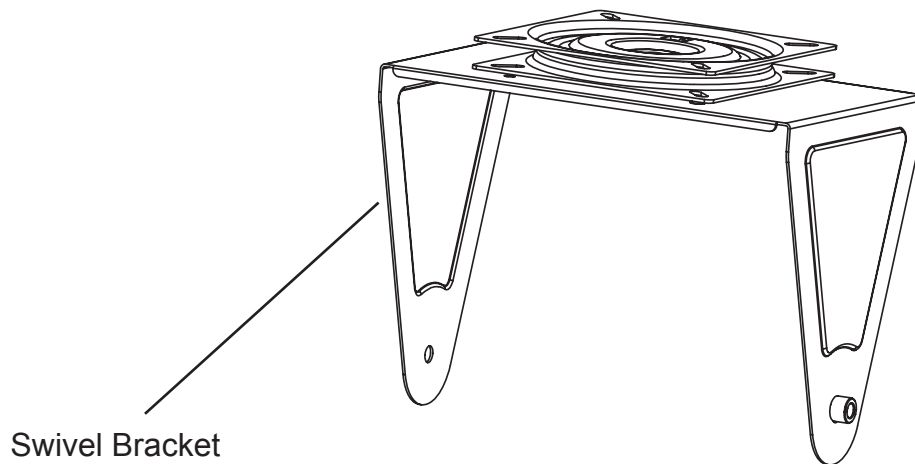
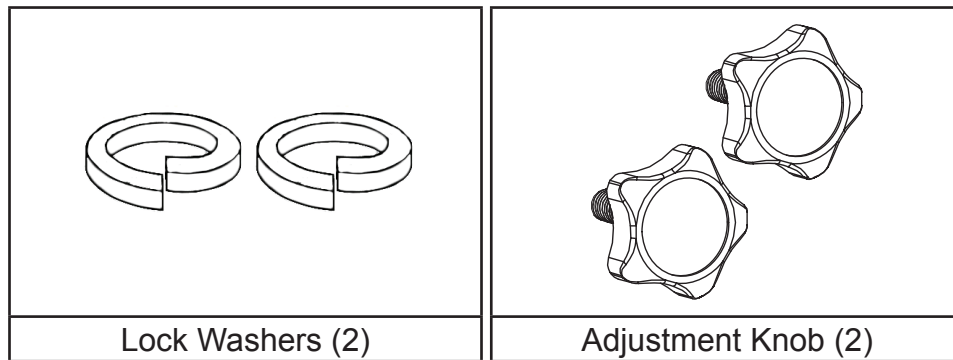
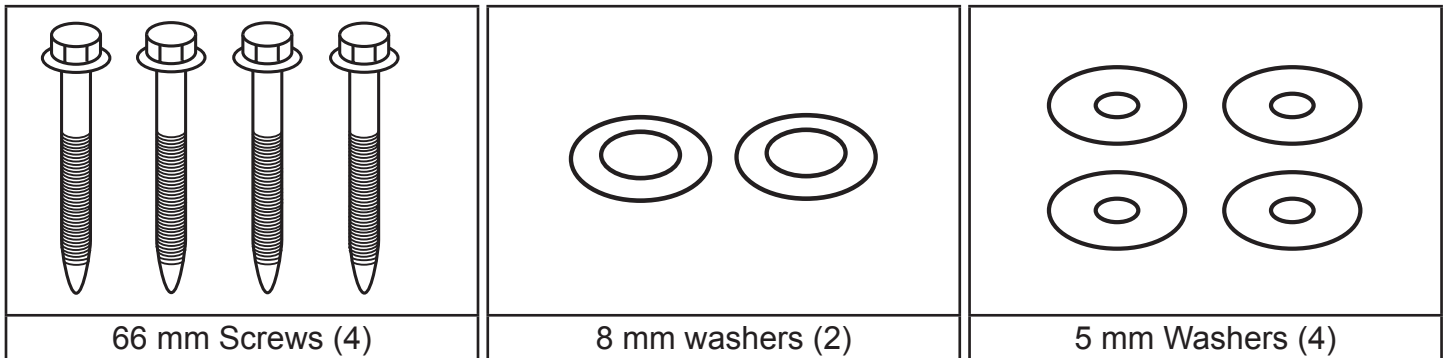
Locating Your Serial Number:

Your serial number can be found on the heater's rating label. It will begin with the letters FH followed by 9 digits. For Example: FH120900170. Have your Serial Number ready before calling customer service at 800-779-3267.

NEVER LEAVE HEATER UNATTENDED WHILE CONNECTED TO A POWER SOURCE

Assembly Instructions

What's In The Box



Troubleshooting

Locating Your Serial Number:

Your serial number can be found on the heater's rating label. It will begin with the letters FH followed by 9 digits. For Example: FH120900170. Have your Serial Number ready before calling customer service at 800-779-3267.

NEVER LEAVE HEATER UNATTENDED WHILE CONNECTED TO A POWER SOURCE

Assembly Instructions

Tools Needed:

- Power Drill
- 4 mm or 5/32 in. drill bit
- Phillips head screwdriver
- Stud finder

Ceiling Mounting

1. Locate wood stud in ceiling where heater will be mounted.
2. Use swivel bracket to mark 4 holes for drilling. Be sure a minimum of 2 holes (across swivel bracket from each other) will be drilled into wood stud in ceiling.
3. Pre-drill 4 holes for screws.
4. Attach swivel bracket to ceiling using 4 washers and screws (attach 2 screws to stud, then turn 90 degrees to attach 2 final screws.) Two (2) screws must be attached to a wood ceiling joist (min 1.5"). If 2 remaining screws cannot be attached to a wood ceiling joist, then moly / toggle bolts should be used for remaining holes.

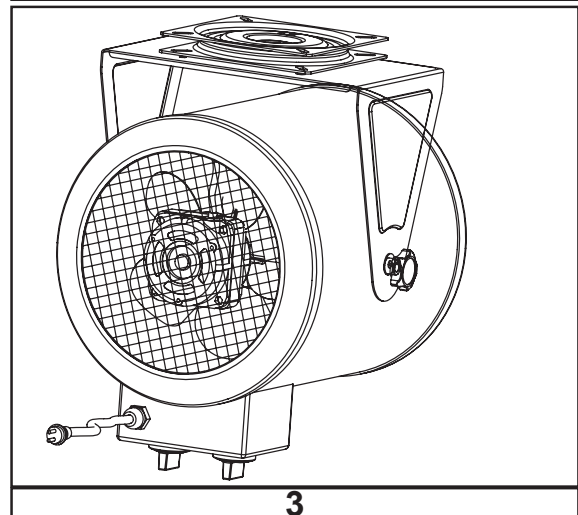
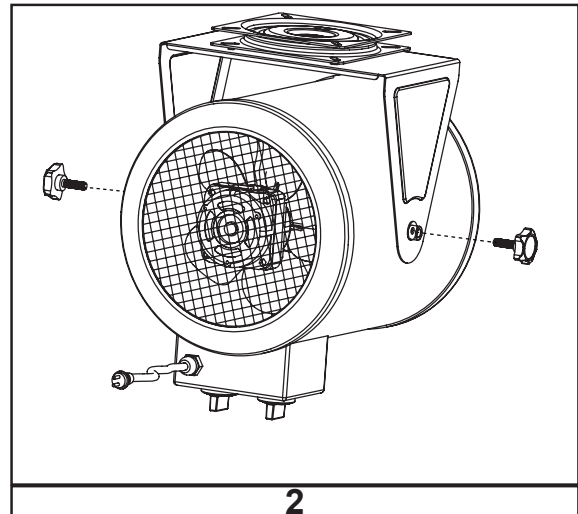
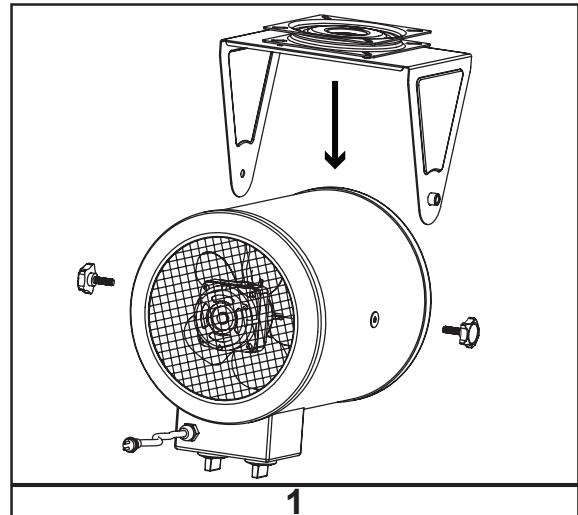
▲ WARNING HEATER MUST BE ATTACHED TO A JOIST WITH A MINIMUM OF TWO (2) SCREWS IN OPPOSING HOLES.

▲ WARNING If you are attaching this heater to a ceiling surface other than a wood ceiling joist and drywall, please use appropriate fasteners. The screws included with your heater are not intended to be used for metal joists.

Attaching Heater to Swivel Bracket

1. Line up holes on swivel bracket with the holes on the heater shell.
2. Attach heater to swivel bracket with adjustment knobs larger 8 mm washers and locking washers. (Page 5)





▲ WARNING Be certain adjustment knobs are tightened firmly to secure heater to swivel bracket.



NEVER LEAVE HEATER UNATTENDED WHILE CONNECTED TO A POWER SOURCE

Operation

1. Position the fan heater so that it stands upright on a firm, level surface and at a safe distance from wet environments and flammable objects.
 2. Connect the fan heater to the proper electrical power. See Grounding instructions (Page 8 and Figure 2)
 3. Set the thermostat dial to the maximum temperature.
 4. The fan heater will switch on when the function selector dial is set to one of the three power settings.
- The thermostat will then switch on and off automatically to control the room temperature according to the preset value and keep the room temperature constant.
 - When using the heater for the first time, you may notice a slight emission of smoke. This is quite normal and it stops after a short time. The heating element is made of steel and was coated with a layer of protective oil during production. The smoke is caused by the leftover oil as it is heated.

Setting	Function
	Unit is Off
	Fan Runs - No heating
	Fan Runs - Half Power Heating
	Fan Runs - Full Power Heating

NOTE: The fan will run continuously while the heater is operating.

5. Once the room reaches the desired temperature, turn the thermostat dial back until heating element turns off.

Automatic Overheat Safety Control

- This heater is equipped with safety internal heat limiting thermostat and overheat protection circuit. When a potential overheat temperature is reached, the system will automatically shut the heater off at 158 °F (70 °C).

Caution Light

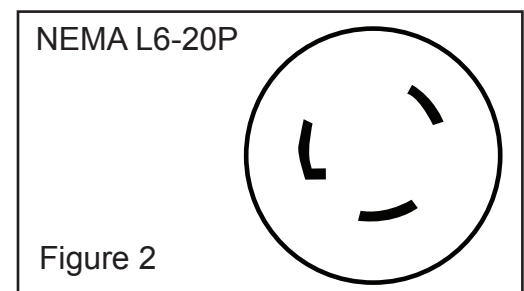
- The Caution Light will illuminate when the Overheat Safety Control is activated. The heating element will be shut off until the unit has cooled to a safe level.
- The fan will continue to operate.
- Once the heater has reached a safe level (131 °F / 55 °C), the heater will turn back on automatically.

Thermostat Instructions

- At first, set the thermostat to “+” and let the heater operate with full power input. When the room temperature reaches the required value, turn the thermostat to the left until it switches off.

Grounding Instructions

- This heater is for use on 240 (or 208) volts. The cord has a plug as shown in figure 2 (below). No adapter is available for this blade configuration, and none should be used. The type outlet is a 240 (or 208) volt grounding outlet. When properly installed, it provides a ground connection through the cord to the heater to protect the operator from electric shock.
- Be sure that the electrical receptacle is of the configuration and capacity appropriate for the heater.



Cleaning and Maintenance

- Before cleaning the appliance, disconnect it from the outlet and let it cool down.
- In order to protect the enclosure, don't splash water onto the heater, and never use a solvent like gasoline, isoamyl acetate, toluene, etc. to clean the heater
- The enclosure is easy to get dirty. Wipe it often with a soft sponge. For very dirty parts, wipe with a sponge dipped in < 122°F water and mild detergent, then dry the heater enclosure with a clean cloth. Be careful not to let the water enter the inside of the appliance.

Troubleshooting

Locating Your Serial Number:

Your serial number can be found on the heater's rating label. It will begin with the letters FH followed by 9 digits. For Example: FH120900170. Have your Serial Number ready before calling customer service at 800-779-3267

Problem	Cause	Solution
Fan stays on when heat shuts off.	1. Fan runs continuously while the heater is operating.	1. Heater is operating correctly.
Fan speed stays the same when changing settings.	1. Fan speed stays constant. Setting changes amount of heat output only.	1. Heater is operating correctly.
Heating element does not glow red.	1. Heating element is made of stainless steel and will not glow red to produce heat.	1. Heater is operating correctly.
Do not feel heat or air flow.	1. No power to heater. 2. Desired room temperature reached. 3. Heater does not heat area in front of heater, it will disperse heat throughout room to heat entire space.	1. Check power connections / connect heater to power supply. 2. Thermostat will shut off once desired room temperature is reached. Heater is operating correctly. 3. Heater is operating correctly.

LIMITED WARRANTY

Pinnacle Climate Technologies, Inc. warrants this heater to the original retail purchaser only, to be free from defects in material and workmanship for a period of one (1) year from the date of initial purchase. This product must be properly installed, maintained and operated in accordance with the instructions provided.

Pinnacle Climate Technologies, Inc. requires reasonable proof of your date of purchase from an authorized retailer or distributor. Therefore, you should keep your sales slip, invoice or cancelled check from the original purchase. This Limited Warranty shall be limited to the repair or replacement of parts, which prove defective under normal use and service within the warranty period, and which **Pinnacle Climate Technologies, Inc.** shall determine at its reasonable discretion.

This warranty does not apply to products purchased for rental use.

This Limited Warranty does not cover any failures or operating difficulties due to normal wear and tear, accident, abuse, misuse, alteration, misapplication, improper installation or improper maintenance and service by you or any third party. Failure to perform normal and routine maintenance on the heater, shipping damage, damage related to insects, birds or animals of any kind, and damage due to weather conditions are also not covered. In addition, the Limited Warranty does not cover damage to the finish, such as scratches, dents, discoloration, rust or other weather damage, after purchase.

All transportation costs for the return of damaged product or parts will be the responsibility of the purchaser. Upon receipt of damaged item, **Pinnacle Climate Technologies, Inc.** will examine the item and determine if defective. **Pinnacle Climate Technologies, Inc.** will repair or replace and return the item, freight pre-paid.

Locating Your Serial Number:

Your serial number can be found on the heater's rating label. It will begin with the letters FH followed by 9 digits. For Example: FH120900170. Have your Serial Number ready before calling customer service at 800-779-3267.

Model #: _____

Serial #: _____

Date of Purchase: _____

If **Pinnacle Climate Technologies, Inc.** finds the item to be in normal operating condition, or not defective the item will be returned freight collect. This Limited Warranty is in lieu of all other express warranties. **Pinnacle Climate Technologies, Inc.** disclaims all warranties for products that are purchased from sellers other than authorized dealers or distributors.

AFTER THE PERIOD OF THE ONE (1) YEAR EXPRESS WARRANTY EXPIRES, **Pinnacle Climate Technologies, Inc.** DISCLAIMS ANY AND ALL IMPLIED WARRANTIES, INCLUDING WITHOUT LIMITATION THE IMPLIED WARRANTIES OF MERCHANTABILITY AND FITNESS FOR A PARTICULAR APPLICATION. FURTHER, **Pinnacle Climate Technologies, Inc.** SHALL HAVE NO LIABILITY WHATSOEVER TO PURCHASER OR ANY THIRD PARTY FOR ANY SPECIAL, INDIRECT, PUNITIVE INCIDENTAL, OR CONSEQUENTIAL DAMAGES. **Pinnacle Climate Technologies, Inc.** assumes no responsibility for any defects caused by third parties. This Limited Warranty gives the purchaser specific legal rights; a purchaser may have other rights depending upon where he or she lives. Some states do not allow the exclusion or limitation of special, incidental or consequential damages, or limitations on how long a warranty lasts, so the above exclusion and limitations may not apply to you.

Pinnacle Climate Technologies, Inc. does not authorize any person or company to assume for it any other obligation or liability in connection with the sale, installation, use, removal, return or replacement of its equipment, and no such representations are binding on **Pinnacle Climate Technologies, Inc.**

Always be sure to specify the model number and serial number when making any claim with **Pinnacle Climate Technologies, Inc.** For your convenience, use the space provided below to list this information.

